

86D285

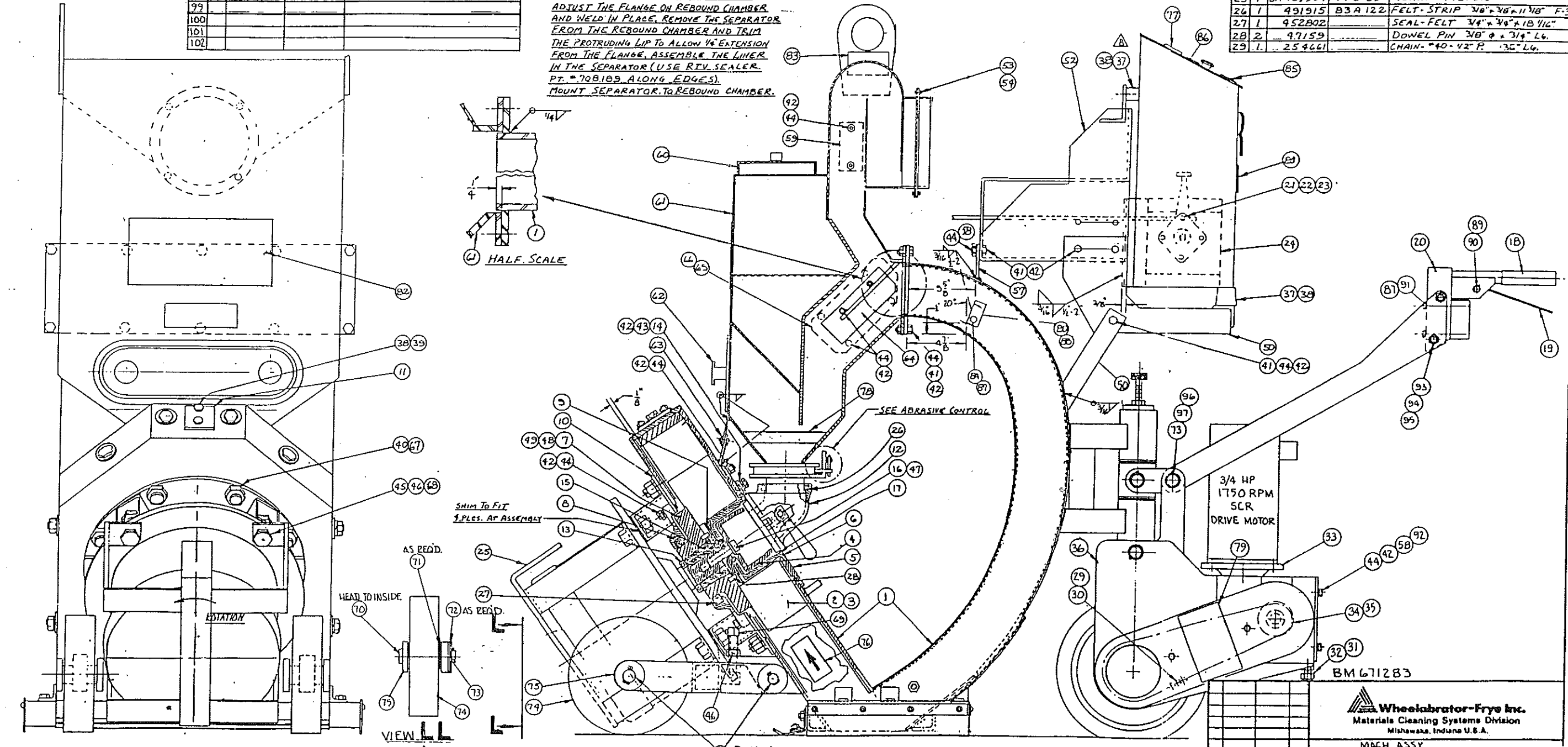
DET	QTY	PART NO.	DRAWING NO.	DESCRIPTION
74	2	450171		WHEEL - 10" DIA.
75	2	BM484710	B1C 418	YOKE - FRONT IDLER
76	1	472353	79A 1015	SIGN - ROTATION
77	1	494151	B3B511	SIGN - SAFETY GLASSES
78	1	467413	78C 1143	SLL SCREEN - SEPARATOR
79	1	494044	B3A418	SIGN - CAUTION - UNDER GUARD
80	1	710200	71A515	MOUNTING BLOCK
81	1	494150	B3B510	SIGN - LETHAL VOLTAGE
82	1	459567	77B 136	SIGN - BLASTRAL 1-20 D
83	2	498276	B5A16	SIGN - LIFT HERE
84	2	500178		1/4-20X1-3/4 HEX HD SCR.
85	1	494149	B3A 431	SIGN - CAUTION - ROTATION
86	1	150371	55A 998	SIGN - AMP
87	6	900953		1/4" LOCKWASHER
88	2	491956		CLEAT
89	1	713024		PIN/CLEVIS 3/8" DIA.
90	1	500595		PIN/COTTER 1/8" x 3/4"
91	4	500181		1/4-20 x 2-1/2" HEX HD SCR.
92	4	500200		3/8-16 x 2" HEX HD. SCR.
93	2	500230		1/2-13 x 4" HEX HD. SCR.
94	2	500116		1/2" LOCKWASHER
95	2	500062		1/2-13 HEX NUT
96	2	499602		1" WASHER/SPL.
97	1	712993	B5A318	PIN, 1" DIA.
98				
99				
100				
101				
102				

DET	QTY	PART NO.	DRAWING NO.	DESCRIPTION
52	1	BM 478457	80 D 612	BRACKET - FAN MOTOR
53	4	500174		1/4" 20 x 3/4" HEX HD. SCR.
54	4	500079		1/4"-20 FLEX LOC NUT
57	1	478459	80 B 402	BAR - MOUNTING
58	6	500104		3/8" FLATWASHER
59	2	422831	78A 90	PANEL - ACCESS
60	1	BM 477978	80 B 295	COVER - SEPARATOR
61	1	BM 478128	80 D 501	SEPARATOR - HOPPER
62	1	BM 478200	80 B 398	COVER - ACCESS
63	1	BM 456308	76 B 950	BRACKET - HOUSING & SEPARATOR
64	1	BM 478127	80 B 346	SLL - LINER - SEPARATOR
65	2	478125	80 B 320	SLL - PLATE - COVER
66	2	478126	80 B 321	GASKET
67	8	500117		5/8" LOCKWASHER
68	4	500118		3/4" LOCKWASHER
69	2	500647		3/4"-10 x 3" SQ. HD. SET SCR.
70	4	488316		PIN - CLEVIS 1" x 9/16" Lg.
71	4	451463		WASHER - THRUST
72	8	500110		1" ID FLAT WASHER
73	6	501352		3/16" x 1/2" COTTER PIN

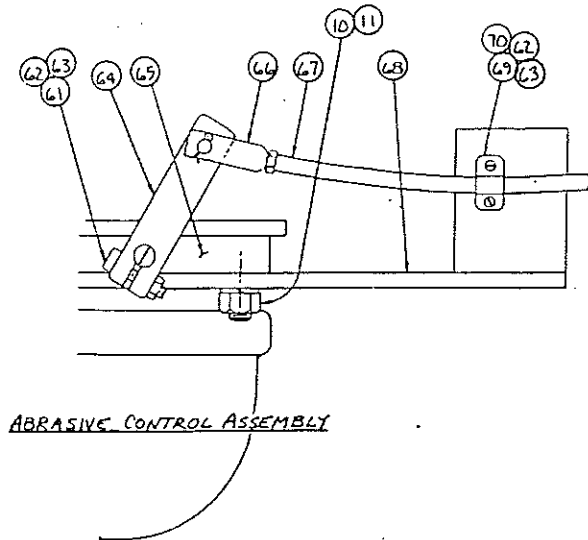
DET	QTY	PART NO.	DRAWING NO.	DESCRIPTION
30	1	452036		CONNECTING LINK - #40 - 1/2 P
31	2	500227		1/2"-13 x 3" HEX HD. SCR.
32	2	500071		1/2"-13 JAM NUT
33	1	488550		REDUCER 50-1
34	1	484816		SPROCKET 16T #40 1-1/8 BORE
35	1	501910		KEY 1/4 SQ x 1 LG.
36	1	BM499590	B5D505	DRIVE/WELD..
37	4	710015		INSULATOR
38	10	500059		5/16"-18 HEX NUT
39	2	500114		5/16" LOCKWASHER
40	8	500063		5/8"-11 HEX NUT
41	16	500768		3/16"-16 x 1 1/4" HEX HD. SCR.
42	47	500115		3/8" LOCKWASHER
43	2	500965		3/8"-16 x 7/8" HEX HD. SCR.
44	45	500060		3/8"-16 HEX NUT
45	4	500269		3/4"-10 x 2" HEX HD. SCR.
46	6	500064		3/4"-10 HEX NUT
47	1	165790		LOCKWASHER 3/8" HIGH COLLAR
48	8	500471		1/2"-13 x 1 1/4" SQ. HD. SCR.
49	8	501770		1/2" FILLISTER LOCKWASHER
50	1	BM 478458	80 C 330	BRACKET - ELECT. PANEL

DET	QTY	PART NUMBER	DRAWING NO./REV.	DESCRIPTION
1	1	BM 671255	B6D273	ASSEMBLY REB PLENUM/ELAST HOUS.
2	1	BM 414667	72C 730	ASSEMBLY BAKE WHEEL C.W.
3	1	428571	74B 315	W/A BLADES (1 SE)
4	1	414370	72C 655	IMPELLER
5	1	422833	78C 17	SUPPORT, CONTROL CAGE
6	1	441085	74C1511	CONTROL CAGE - 49" OPENING
7	1	154823	55C 961	HUB
8	1	452822	76B 634	RETAINER SEAL
9	1	417085	72C1276	CENTER, PLATE
10	1	BM 452801	76C 605	BRACKET, MOTOR (685132)
11	1	473820	75B1325	PLATE, COVER
12	1	422826	78C15	SPOUT FEED
13	1	463740	78A85	COLLAR, SPLIT
14	2	414655	72A664	CLAMP, CONTROL CAGE
15	1	465675		BUSHING, TAPER LOCK - 1-3/4 BORE
16	1	158063	56A237	IMPELLER CAP SCREW
17	1	448251		"O" RING
18	1	453290		GRIP - RUBBER
19	1	BM 451916	76 B 606	SWITCH - DEADMAN LEVER
20	1	BM 499993	85B 196	HANDLE
21	4	500046		*10-24 x 3/4" - ROUND HD. SCR.
22	4	500901		*10-24 HEX NUT
23	4	500113		3/16" LOCKWASHER
24	1	479716	80 B 492	BRACKET - CONTROL BOX MOUNTING
25	1	BM 457964	77 D 39	GUARD - MOTOR
26	1	491915	B3A 122	FELT - STRIP 3/8" x 3/8" x 11 1/8" F-3
27	1	452802		SEAL - FELT 3/4" x 3/4" x 1 1/4"
28	2	47159		DOWEL PIN 3/8" x 3/4" Lg.
29	1	254661		CHAIN - #40 - 1/2" P. 135" Lg.

MOUNT SEPARATOR TO REBOUND CHAMBER, AND ALIGN FEED FUNNEL WITH SEPARATOR. ADJUST THE FLANGE ON REBOUND CHAMBER AND WELD IN PLACE. REMOVE THE SEPARATOR FROM THE REBOUND CHAMBER AND TRIM THE PROTRUDING LIP TO ALLOW 1/4" EXTENSION FROM THE FLANGE. ASSEMBLE THE LINER IN THE SEPARATOR (USE RTV SEALER PT. # 708109 ALONG EDGES). MOUNT SEPARATOR TO REBOUND CHAMBER.



**Wheelabrator-Frye Inc.**  
Materials Cleaning Systems Division  
Mishawaka, Indiana U.S.A.

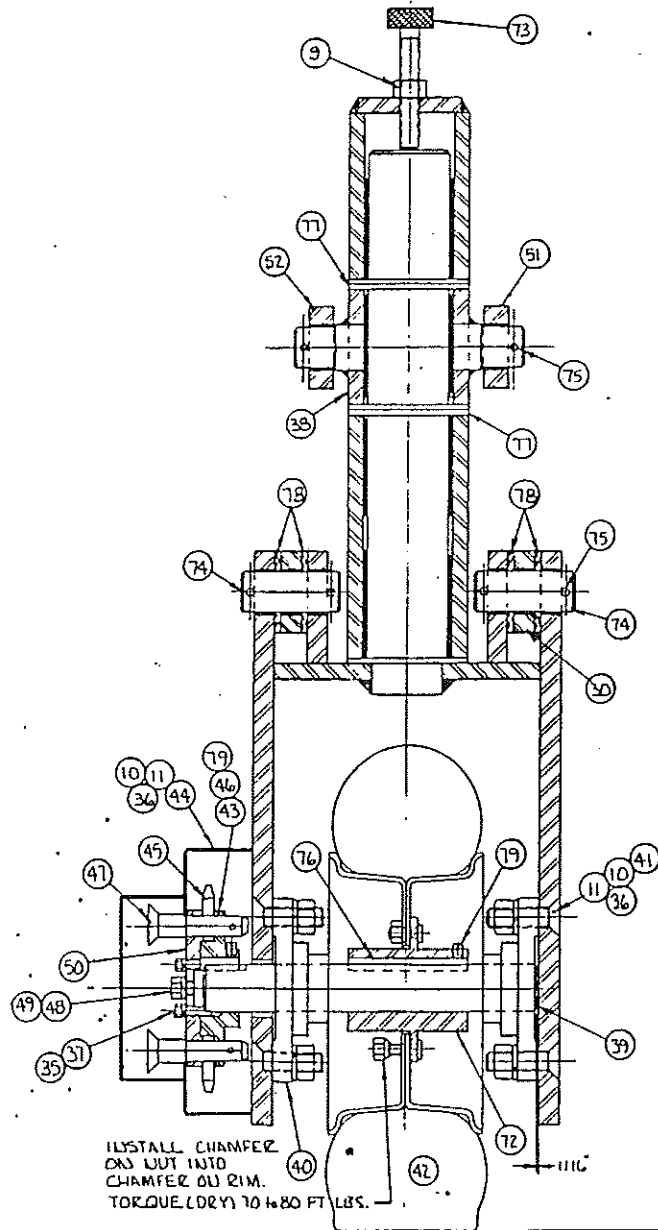


ABRASIVE CONTROL ASSEMBLY

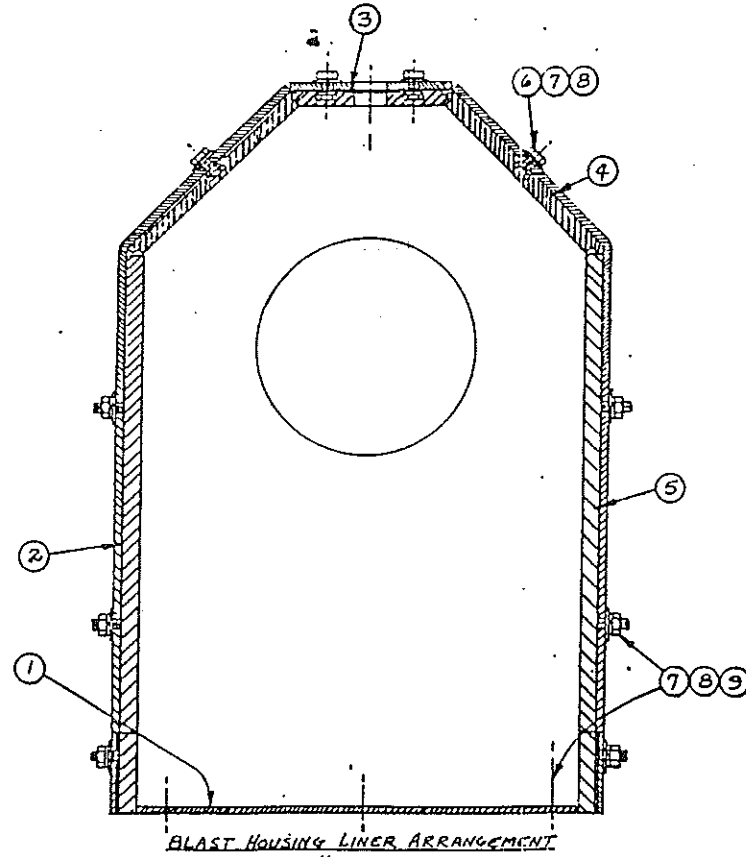
DET	QTY	PART NO.	DRAWING NO.	DESCRIPTION
53	4	500946		3/8-16x5/8 HEX HD SCR.
54	2	422836		CAM-DOUBLE JERGENS #18103
55	2	422837		PIN-CLEVIS 3/8" Ø x 1 1/4"
56	2	501399		5/32x 3/4" COTTER PIN
57	2	422839	78 A 273	END-ROD CAM
58	2	500963		3/8"-16x1 1/2"-SOC.HD. SCR.
59	2	500070		3/8"-16 JAM NUT
60	2	BM 422840	78 A 272	BRACKET-CAM
61	1	501617		1/2"-24x1"-SOC.HD. SCR.
62	5	500901		1/2"-24-HEX NUT
63	5	500113		3/16" LOCKWASHER
64	1	478461	80 A 351	LINKAGE-VALVE
65	1	BM 452352	76 D 618	VALVE ASSY-ABRASIVE
66	1	491714		CLEVIS-ROD W/ PIN
67	1	BM 484813	83 B 89	CABLE-CONTROL-ASSY
68	1	BM 422829	76 C 16	PLATE-TUBE FEED SPOUT
69	2	452354		CLAMP-CABLE
70	4	501053		1/2"-24x1/2 HEX HD SC.
71	1	708189		RTV
72	1	477677	89 D 235	HUB
73	1	499601		1/2-13x3 KNURLED HD. SC.
74	2	712994	85A 317	PIN
75	6	501352		3/16x1 1/2 COTTER PIN
76	1	501917	78 D 698	KEY 1/4x1/4x3
77	5	610817	86A 21	WASHER
78	4	499602		WASHER
79	2	501274		1/4-20x3/8 SOC HD SET SC.

DET	QTY	PART NO.	DRAWING NO.	DESCRIPTION
27	1	BM 478041	80 B 313	PLATE-SEAL
28	2	477981	80 B 298	MAGNET-10"
29	2	477982	80 B 299	INSULATOR
30	1	BM 499595	85 B 198	LINKAGE
31	1	488023	82 B 84	SLL BRACKET
32	1	478203	80 B 400	MAGNET-28"
33	1	478064	80 C 307	SKIRT-RUBBER
34	4	500767		3/8"-16x1" HEX HD. SCR.
35	4	500174		1/4-20x3/4 HEX HD SCR.
36	6	500104		3/8" FLAT WASHER
37	11	500973		1/4" LOCKWASHER
38	1	BM 499592	85 B 197	YOKE
39	1	499596	85 B 199	SHAFT
40	2	488549		BEARING-FLANGE-2 BOLT-BRW/FR160
41	4	501537		3/8"-16x1 1/4" FLAT HD. SOC. SCR.
42	1	499600		TIRE & RIM ASSY
43	1	488551	82 B 512	HUB
44	1	BM 499591	85 C 215	GUARD-DRIVE
45	1	477631	80 B 258	SPROCKET-30T-2 1/4" B.
46	1	501910	78 D 628	KEY 1/4x1/4x1"
47	2	478128		PIN-QUICK RELEASE
48	1	500189		5/16"-18x3/4 HEX HD. SCR.
49	1	500114		5/16" LOCKWASHER
50	1	477630	80 B 257	RETAINER-SPROCKET
51	1	BM 499598	85 B 202	ARM RH
52	1	BM 499599		ARM LH

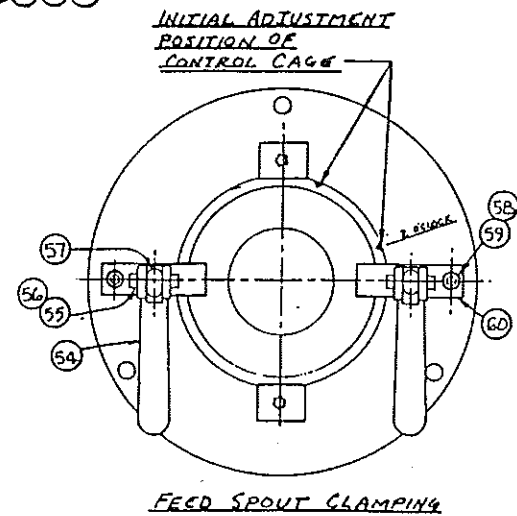
DET	QTY	PART NO.	DRAWING NO.	DESCRIPTION
1	1	BM 488307	82 B 85	LINER-REBOUND LIP-SLL
2	1	BM 488313	82 B 89	LINER-LEFT
3	1	467414	78 C 1342	LINER-TOP
4	2	467415	78 C 1343	LINER-CORNER
5	1	BM 488314	82 B 510	LINER-RIGHT
6	2	500219		1/2"-13x1" HEX HD. SCR.
7	11	500106		1/2" FLAT WASHER
8	11	500116		1/2" LOCKWASHER
9	10	500062		1/2"-13 HEX NUT
10	14	500060		3/8"-16 HEX NUT
11	22	500115		3/8" LOCKWASHER
12	1	478062	80 B 314	RETAINER-SKID
13	7	500058		1/4"-20 HEX NUT
14	1	478059	80 B 311	SKID-SEAL
15	1	488022	82 B 83	BRACKET-MAGNET MOUNT
16	1	478055	80 C 304	INSULATOR-BAR
17	10	477588		5/16"-18x1"-FLAT HD. SOC. SCR.-BRASS
18	2	478204	80 A 312	GUSSET
19	13	500972		1/4"-20x1"-BUTTON HD. SOC. SCR.
20	1	478056	80 B 303	RETAINER-REAR
21	2	478058	80 B 305	RETAINER-SIDE
22	4	477495	80 A 84	BRACKET-SEAL
23	1	478060	80 B 312	RETAINER-FRONT
24	1	478121	80 B 215	SEAL-FRONT
25	2	477503	80 A 87	INSULATOR-BLOCK
26	4	500861		1/4"-20x1 1/2" FLAT HD. SCR.



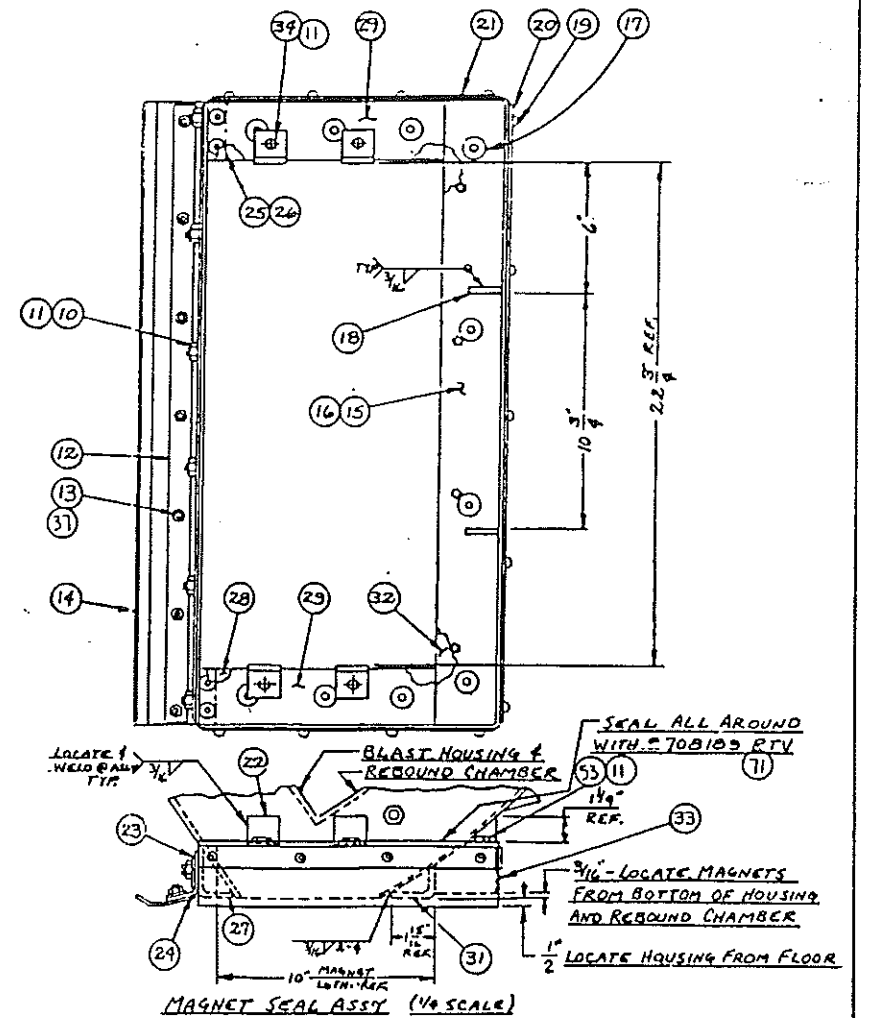
TRACTION DRIVE ASSY.



BLAST HOUSING LINER ARRANGEMENT 1/4 SCALE



FEED SPOUT CLAMPING



MAGNET SEAL ASSY (1/4 SCALE)

REF BM 671283

**Wheelabrator-Frye Inc.**  
Materials Cleaning Systems Division  
Mishawaka, Indiana U.S.A.

MCH ASSY.

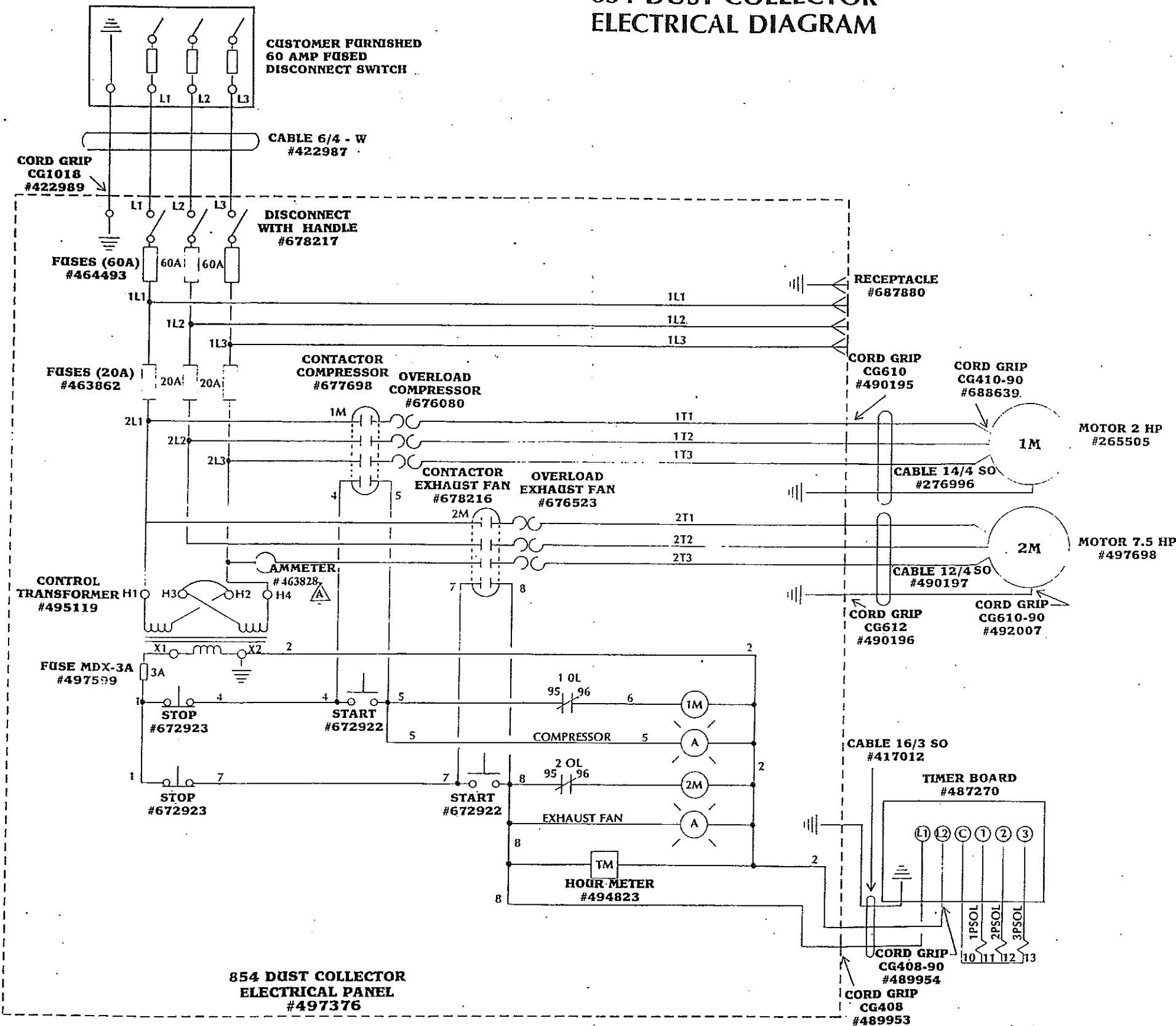
TOLERANCES ON DIMENSIONS UNLESS OTHERWISE NOTED ARE PLUS OR MINUS  
HALF THE FIT - STRUCTURAL STEEL 1/16" - ALL OTHERS 1/32" UNLESS OTHERWISE  
NOTED AND THE SHOWN DIMENSIONS ARE THE PROPERTY OF WHEELABRATOR-FRYE INC.  
ALL USE OF OTHER TRADE NAMES OR MARKS IS PURELY FOR IDENTIFICATION PURPOSES

479597	2-6-90	DBB	SCALE	LISTS	DRAWN	EM	INSEED	86D286
--------	--------	-----	-------	-------	-------	----	--------	--------

# 854 DUST COLLECTOR ELECTRICAL DIAGRAM

REV	DATE	BY
A		

(FOR MACHINES WITH SERIAL #'S 140124 AND HIGHER.)



QUAN.	DESCRIPTION	MANUFACTURER	PART #
1	DISCONNECT (60 A)	TELEMEC D10S2	678217
1	OPERATOR HANDLE	TELEMEC D11SF4	WITH 678217
1	FUSE KIT	TELEMEC. D12D62	
1	PUSHBUTTON (GREEN)	ALLEN BRAD 800H-AR1D1	672922
1	PUSHBUTTON (RED)	ALLEN BRAD 800H-BR6D2	672923
1	PILOT LIGHT (AMBER)	ALLEN BRAD 800H-PR16A	463182
1	BOOT (GREEN)	ALLEN BRAD 800H-NSB	
1	BOOT (RED)	ALLEN BRAD 800H-N5A	
1	CONTACTOR	ALLEN BRAD 100-A09ND3	677698
1	CONTACTOR	ALLEN BRAD 100-A18ND3	678216
1	OVERLOAD	ALLEN BRAD 193-BSB30	676080
1	OVERLOAD	ALLEN BRAD 193-BSC15	676523
18	TERMINALS	ALLEN BRAD 1492-CA1	296700
1	TRANSFORMER	GEN ELEC. 9T58L49	495119
1	FUSEHOLDER	GEN ELEC 9T58P15	WITH 495119
3	FUSES (60A)	BUSSMAN FR9-R60	464493
3	FUSES (20A)	BUSSMAN FR9-R20	463862
1	FUSEBLOCK	MARATHON 6F30A3SP	
1	CORD GRIP	KELLEMS 74-01-00B (CG408)	489953
1	CORD GRIP	KELLEMS 74-01-017(CG610)	490195
1	CORD GRIP	KELLEMS 74-01-027(CG1018)	422989
1	CORD GRIP	KELLEMS 74-01-080 (CG410-90)	688839
1	CORD GRIP	KELLEMS 74-01-078 (CG408-90)	489954
1	CORD GRIP	KELLEMS 74-01-083 (CG610-90)	492007
1	CORD GRIP	KELLEMS 74-01-018 (CG612)	490196
1	AMMETER	YOKOGAWA 250 240 NCGNG	463828
1	HOOR METER	ENGLER 710/NG7	494823
1	RECEPTACLE	APPLETON ACR6034	687880
FT	CABLE	16/3 SO	417012
FT	CABLE	6/4 TYPE W	422987
FT	CABLE	14/4 SO	276996
FT	CABLE	12/4 SO	490197
1	FUSE	BUSS #MDX-3A (DUAL ELEMENT)	497599
1	TIMER BOARD	NATIONAL CONTROL 1-3 OUT DNC T2003-A10	487270
1	BLOWER MOTOR	7.5 HP	497698
1	COMPRESSOR MOTOR	2 HP	265505
1	ELECTRICAL PANEL		497376

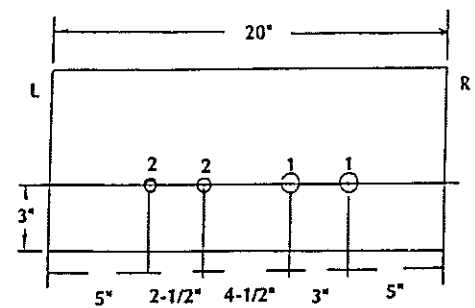
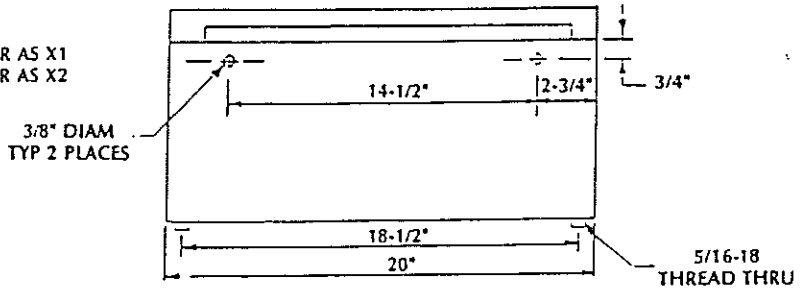
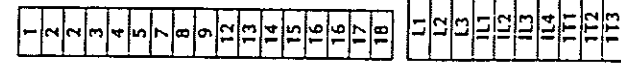
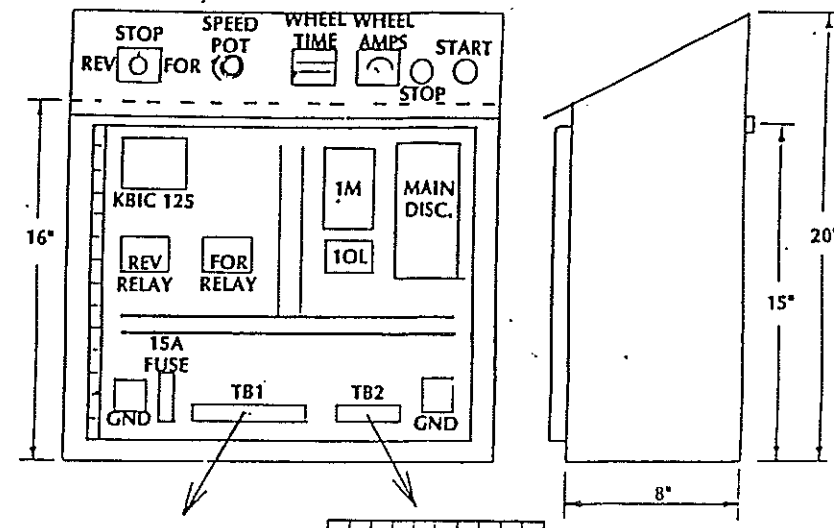
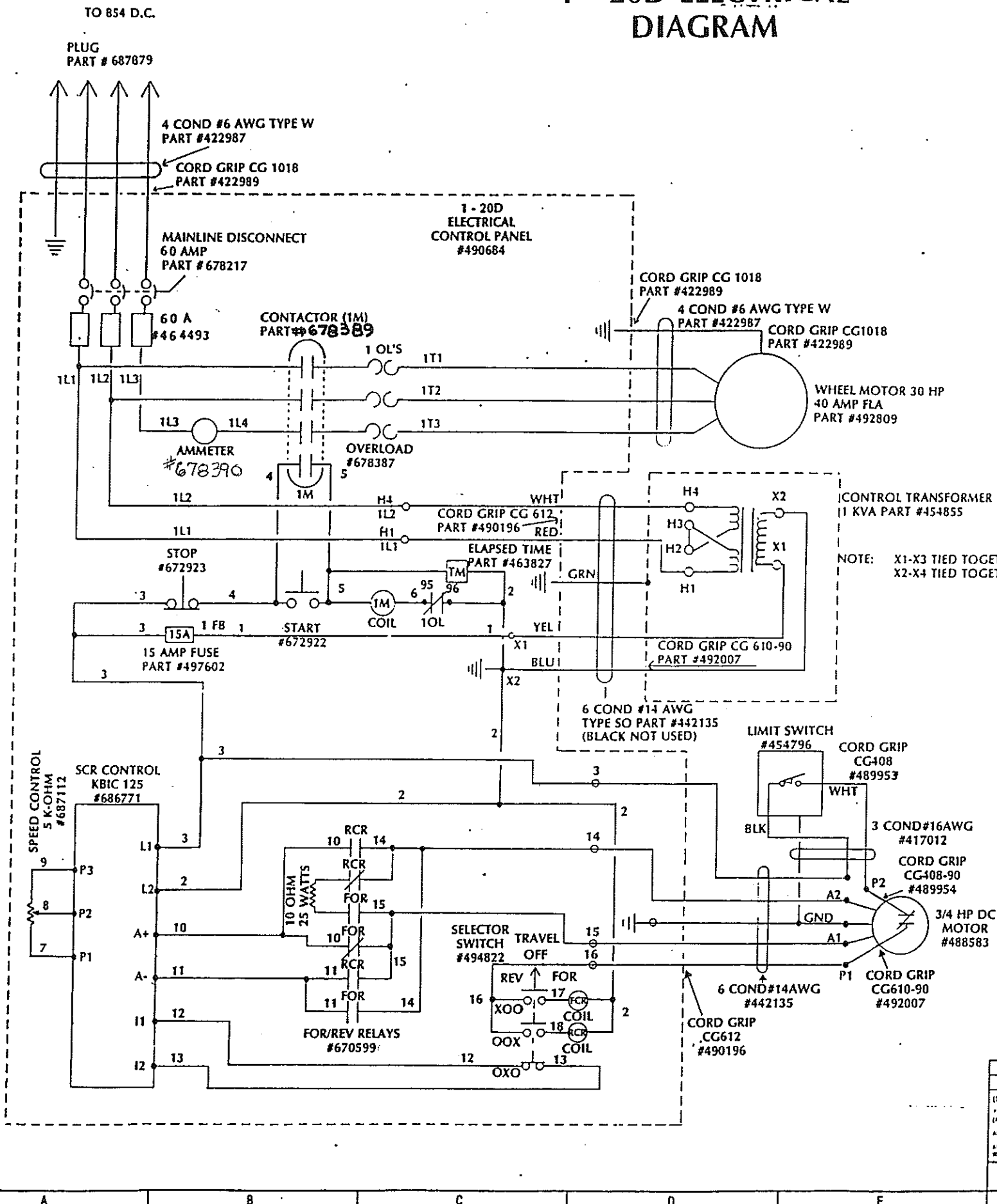
854 DUST COLLECTOR ELECTRICAL PANEL #497376

DIMENSIONAL TOLERANCES - UNLESS OTHERWISE NOTED - INSPECTION SPECIFICATION - WIS 5007				POST USE	REV	DATE
FABRICATING	MACHINING	WELDING AND ASSEMBLY	RELATIONAL	CASTING		
(SHEARING, BURNING, PUNCHING)						
TWO PLACE DECIMALS (AND FRACTIONS)	TWO PLACE DECIMALS ±0.010 (WHERE SHOWN BY √)	TWO PLACE DECIMALS (AND FRACTIONS)	FLATNESS (OR OVERALL LENGTH THROUGH 80°)	CAST PARTS SHALL MEET THE STEEL TOLERANCES SOCIETY OF AMERICA (S&A) IS TOLERANCE AS DEFINED BY THE FOLLOWING RELATIONSHIP OF TOLERANCE TO ACTUAL CAST DIMENSION LENGTH (L) AND CASTING WEIGHT (W):		
ANGULAR (POSITIONAL) ±0°30'	THREE PLACE DECIMALS ±0.005	ANGULAR (POSITIONAL) ±0°30'	SURFNESS (COUPEN TO CORNER, MAX. DIFFERENCE IN DIAGONALS)	TOL (L) = 0.015 ± W 0.37 ± 0.222 ± L, 0.35		
ANGULAR (CHAMFER) ±1°30'	ANGULAR ±0°30'	ALL WELDMENTS ±0.12				
NOTE: BEND RADIUS IS EQUAL TO MATERIAL THICKNESS, UNLESS OTHERWISE NOTED.				THIS DRAWING AND THE DESIGN SHOWN THEREIN IS THE PROPERTY OF WHEELABRATOR CORPORATION AND USE OR COPIES THEREOF CANNOT BE MADE WITHOUT WRITTEN CONSENT.		
				Wheelabrator Corporation Shenandoah, Georgia U.S.A. LaGrange, Georgia U.S.A. <b>ELECTRICAL SCHEMATIC</b> <b>854 DUST COLLECTOR</b> SCALE: NONE DRAWN: TAV DATE: 4/22/94		
				<b>94D360</b>		

REV	DATE	BY

# 1 - 20D ELECTRICAL DIAGRAM

## PANEL LAYOUT



KELLEM GRIP	HOLES BOTTOM OF PANEL
KNOCKOUT SIZE	GRIP P/N
① 1-14"	CG 1018
② 3/4"	CG 612

DIMENSIONAL TOLERANCES - UNLESS OTHERWISE NOTED - INSPECTION SPECIFICATION - WIS 5007				REV	DATE	PART NUMBER	490684
FABRICATING	DRAWING	WELDING AND ASSEMBLY	RELATIONAL	CASTING			
(SHEARING, TURNING, PUNCHING) ±0.005 (AND FRACTIONS)	TWO PLACE DECIMALS ±0.010 (WHERE SHOWN BY √)	TWO PLACE DECIMALS ±0.005 (AND FRACTIONS)	FLATNESS (IN OVAL) ±0.005 (LENGTH THROUGH 90°)	CAST PARTS SHALL MEET THE STEEL FOUNDRY SOCIETY OF AMERICA (SPECS) IS TOLERANCE AS DEFINED BY THE FOLLOWING RELATIONSHIP OF TOLERANCE TO ACTUAL CAST DIMENSION LENGTH (L) AND CASTING WEIGHT (W): EQ. 141 - 8888 W/FM - 8922 ±L FM			
ANGULAR (POSITIONAL) ±0°30'	THREE PLACE DECIMALS ±0.005	ANGULAR (POSITIONAL) ±0°30'	SQUAREDNESS (CORNER TO CORNER MAX. DIFFERENCE IN DIAGONALS)	WAT			
ANGLE (DIRECTION) ±1°30'	ANGULAR ±0°30'	ALL WELDMENTS ±0.12	NOTE: REND RADIUS IS EQUAL TO MATERIAL THICKNESS, UNLESS OTHERWISE NOTED.				
THIS DRAWING AND THE DESIGN SHOWN THEREIN IS THE PROPERTY OF WHEELABRATOR CORPORATION AND USE OR COPIES THEREOF CANNOT BE MADE WITHOUT WRITTEN CONSENT.			WHEELABRATOR CORPORATION Shenandoah, Georgia U.S.A. LaGrange, Georgia U.S.A.				
ELECTRICAL SCHEMATIC				854 DUST COLLECTOR			
SCALE: NONE				DATE: 4/28/94		TAV	
						94D359	

513079

ITEM	QTY	PART NO.	DWG. NO.	DESCRIPTION
U7	1	484951		DRAIN VALVE
U8	1	483468		SAFETY VALVE
U9	1	497755		HOSE
70	2	146280		BARB FITING, 1/2-14 NPT
71	4	491955		CLEAT/CABLE 0.70-0.94
72	1	491954		" " 0.41-0.57
73	4	464548	78A 287	LATCH
74	4	495532		SOC. HD. SHOULDER SCL. 3/8 x 3/4 U
75	4	500080		FLEX-LOC NUT, 3/16-18
76	8	498499		ROD/HANGER W/NUIT
77	3	483804		ELBOW
78	1	441578		VENT
79	1	500365		COUPLING, 1/8"
80	1	483802		CONNECTOR
81	1	492051		TUBE / LOW
82	1	492052		TUBE / HIGH
83	3	500038		RD. HD. MACH. SCL. # 10-32 x 3/8 LG
84	5	501144		RD. HD. MACH. SCL. # 10-32 x 2" LG
85	2	483090		CAP
86	4	501253		SO HD CP SC 5/16-18 x 1/2 LG
87	1	499843	85A230	SIGN / GROUNDING
88	1	499946	85B286	" "
89	1	498419		SHEAVE / TL 3.75 OD / W/BUSHING
90	1	498514		BELT / V / COG / AX 56

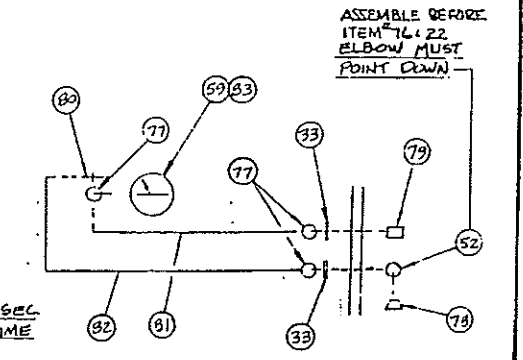
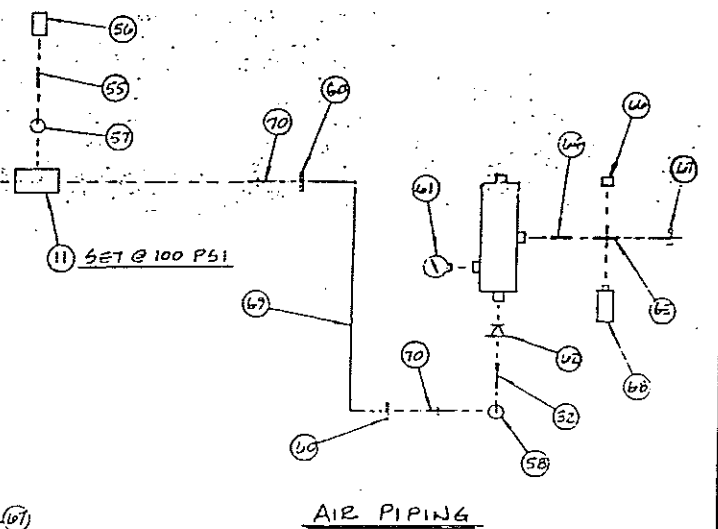
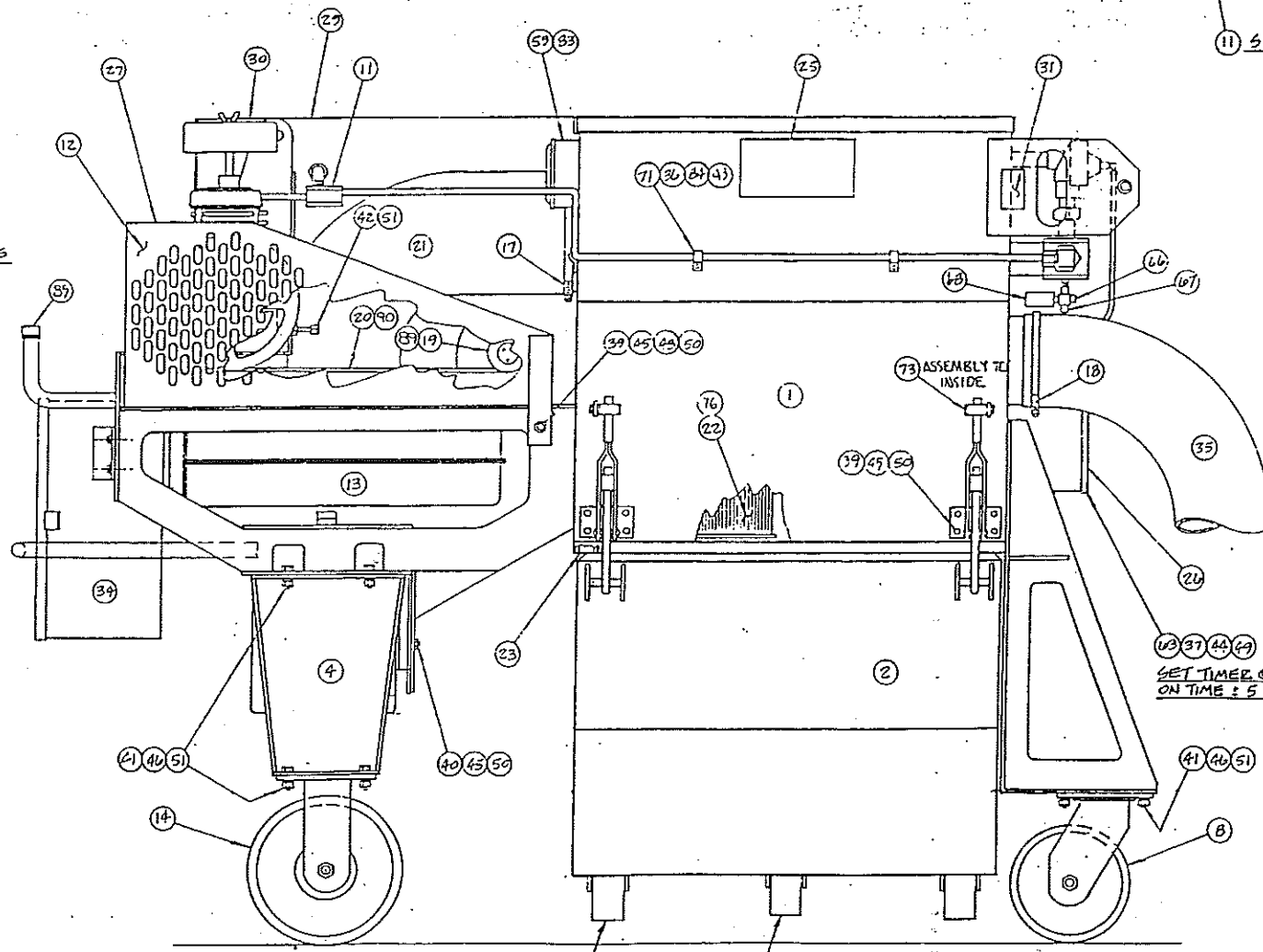
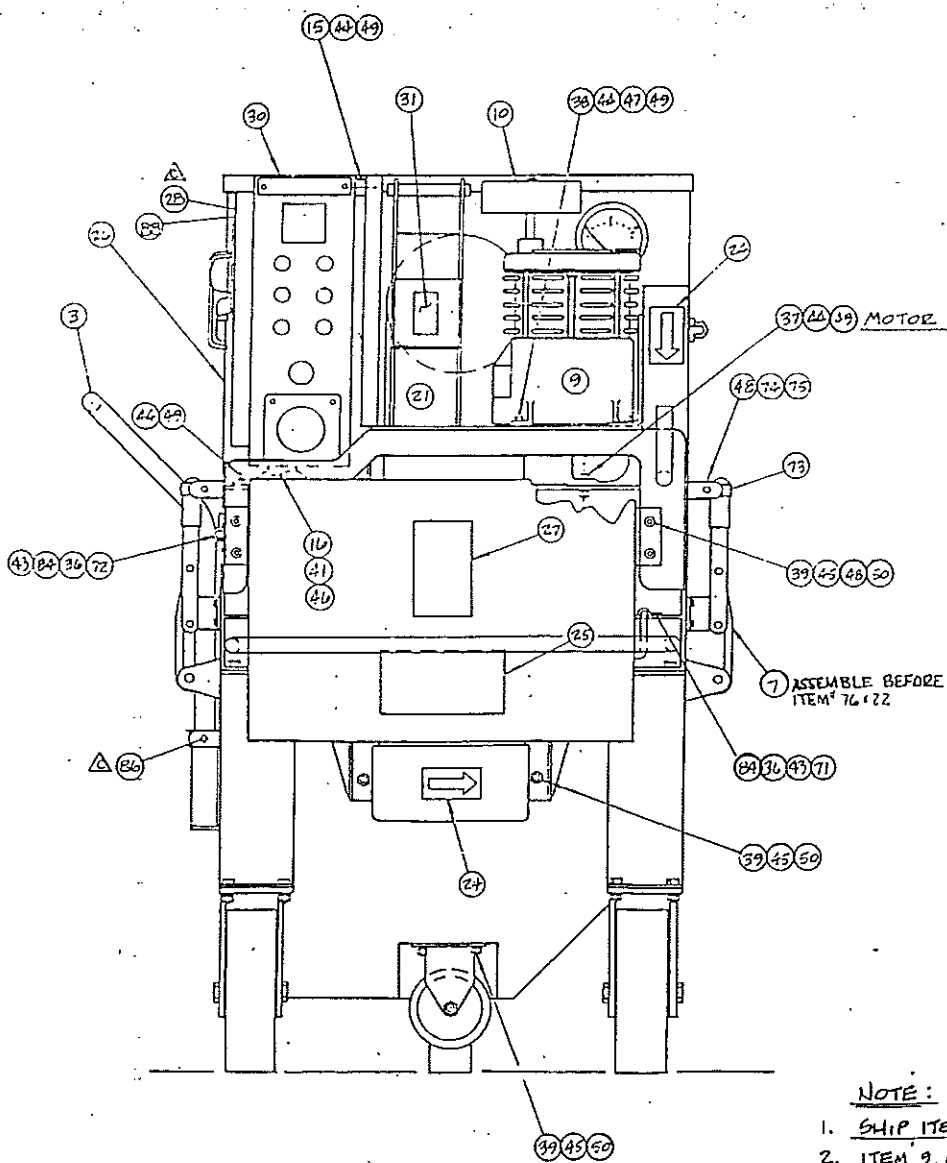
ITEM	QTY	PART NO.	DWG. NO.	DESCRIPTION
45	54	500115		LOCK WASHER, 3/8"
46	18	500114		" " 1/2"
47	4	500103		FLAT WASHER, 5/16"
48	10	500104		" " 3/8"
49	13	500059		HEX NUT, 3/16-18
50	54	500064		" " 3/8-16
51	18	500062		" " 1/2-13
52	1	500550		ELBOW, 1/2-90°
53	1	500345		PIPE NIPPLE, 3/8 x 2" LG.
54	1	500539		REDUCE BUSHING 1/2 x 3/8"
55	1	500343		CLOSE PIPE NIPPLE, 3/8"
56	1	255861		MUFFLER
57	1	500393		STEELT ELBOW, 3/8-90°
58	1	500552		ELBOW, 1/2-90°
59	1	491837		GAUGE, MAGNEHELIC
60	2	205112		CLAMP
61	1	124814		GAUGE, 2"
62	1	501697		REDUCE BUSHING, 1" x 1/2"
63	1	491836		BOX, TIMER ASY
64	1	500913		CLOSE PIPE NIPPLE, 1/4"
65	1	500521		RPE CROSS, 1/4"
66	1	500492		PLUG, 1/2"

ITEM	QTY	PART NO.	DWG. NO.	DESCRIPTION
23	1	497753	84B 474	SEAL
24	2	472553	79A 1015	SIGN / ROTATION
25	3	497754	84B 495	" / DUST COLLECTOR
26	2	494150	83B 510	" / VOLTAGE
27	2	494044	83A 418	" / CAUTION
28	2	499414	55A13A	" / 400 VOLTS
29	1	493905	83B 489	" / -
30	1	494149	83A 431	" / -
31	3	498276	85A 16	" / LIFT
32	1	500349		PIPE NIPPLE, 1/2 x 1 1/2 LG.
33	2	500104		FLAT WASHER, 1/2"
34	1	8M497719	84C 527	SILENCE ASY
35	3	489301		DUCT 4" DIA.
36	5	500901		#10-32 HEX NUT
37	B	500189		HEX HD. CAP SCL. 3/16-18 x 3/4 LG.
38	B	500191		" " " 3/16-18 x 1 1/2 LG.
39	50	500708		" " " 3/8-16 x 1 1/4 LG.
40	A	500200		" " " 3/8-16 x 2" LG.
41	B	500221		" " " 1/2-13 x 1 1/2 LG.
42	2	500632		GR. " SET " 1/2-13 x 4" LG.
43	5	500113		LOCK WASHER 3/16"
44	14	500114		LOCK WASHER 1/2"

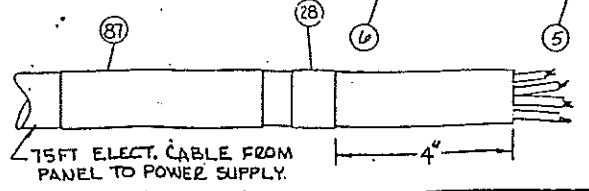
ITEM	QTY	PART NO.	DWG. NO.	DESCRIPTION
1	1	BM 497726	84D 913	MAIN WELDMENT
2	2	BM 497725	84D 910	HOPPER
3	2	497748	84C 532	HANDLE
4	2	BM 497747	84C 533	SUPPORT / CASTEE
5	2	488990		CASTEE / SWIVEL 5" DIA.
6	4	488991		CASTEE / RIGID 5" DIA.
7	4	426450		CLAMP
8	1	490497		CASTEE / SWIVEL
9	1	490498		COMPRESSOR
10	1	497771		FILTER ASY
11	1	490491		UNLOADER
12	1	BM 490099	82D 1287	GUARD
13	1	490493		BLOWER
14	2	490495		CASTEE / RIGID
15	2	456550		MOUNT
16	2	483464		ISOLATOR
17	2	223961		CLAMP / HOSE 5 3/8" TO 8 1/2"
18	1	200400		CLAMP / HOSE 1 1/8" TO 7"
19	1	491824		SHEAVE U J 30
20	1	491825		BELT 580 JU
21	1	490700	84A 370	DUCT 8" DIA.
22	B	493206		FILTER ELEMENT

SEE NOTE 3  
SEE NOTE 3

SEE NOTE 3  
SEE NOTE 3



- NOTE:
- SHIP ITEMS 18 & 35 LOOSE.
  - ITEM 9, COMPRESSOR TO BE FILLED WITH ONE (1) PINT OF OIL. DO NOT OVERFILL.
  - BEFORE A-141410, USE 19 & 20; AETERA-141410, USE 89 & 90.



TOLERANCES ON DIMENSIONS UNLESS OTHERWISE NOTED: DIM. TO SURF UNLESS OTHERWISE NOTED. DIM. TO CENTERLINE UNLESS OTHERWISE NOTED. DIM. TO CENTERLINE UNLESS OTHERWISE NOTED.

REV	DATE	BY	CHKD	DESCRIPTION
G	2/21/97	MCD		
F	1/21/97	LAM		
E	1/21/97	LAM		
D	9/15/85	LAM		
C	5/23/85	LAM		
B	4/17/85	LAM		
A	2/17/85	LAM		
ENC	7/85	0/1E	BY	DATE 11-5-84

Wheabrator-Frye Inc.  
Materials Cleaning Systems Division  
Mishawaka, Indiana U.S.A.

MACHINE ASSEMBLY  
85C DUST COLLECTOR

SCALE: N.T.S. DRAWN: M.J. TRACED: J.P.R.  
84D 915